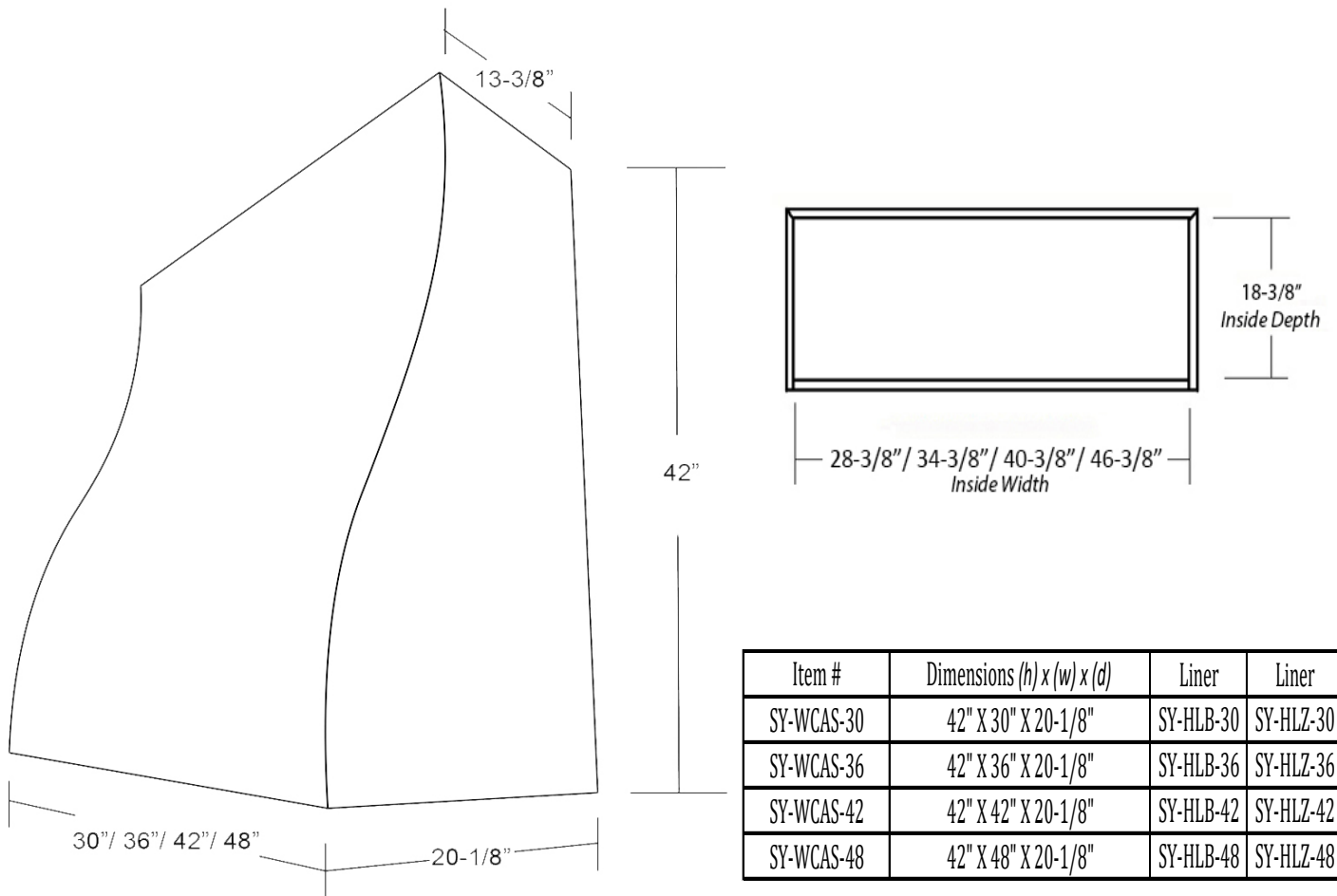


# Cascade Chimney Range Hood



Item #	Dimensions (h) x (w) x (d)	Liner	Liner
SY-WCAS-30	42" X 30" X 20-1/8"	SY-HLB-30	SY-HLZ-30
SY-WCAS-36	42" X 36" X 20-1/8"	SY-HLB-36	SY-HLZ-36
SY-WCAS-42	42" X 42" X 20-1/8"	SY-HLB-42	SY-HLZ-42
SY-WCAS-48	42" X 48" X 20-1/8"	SY-HLB-48	SY-HLZ-48

- Veneer, Hardwood Plywood and Solid Lumber Construction
- 1/2" Rear Plywood Stretchers for wall mounting
- Accepts SY-HLB series Powder Coated or Stainless Steel Liners *(sold separately)*
- Select from 300, 400 and 600 CFM Broan Ventilation power packs *(sold separately)* or
- *Ascension 350SL, 350SS, 500SS and 620SS CFM Ventilation power packs (sold separately) or*
- *30" and 36" models accept Ascension 900 CFM Professional Ventilators (requires HLZ series Liners)*
- *42" and 48" models accept Ascension 1200 CFM Professional Ventilators (requires HLZ series Liners)*
- Available in Alder, Cherry, Hickory, Maple, Red Oak, and White Oak
- Optional 14", 24" and 36" height Chimney Extensions available *(requires trim kit)*

