



ASSEMBLY INSTRUCTIONS

SY-WCSL-36-IM

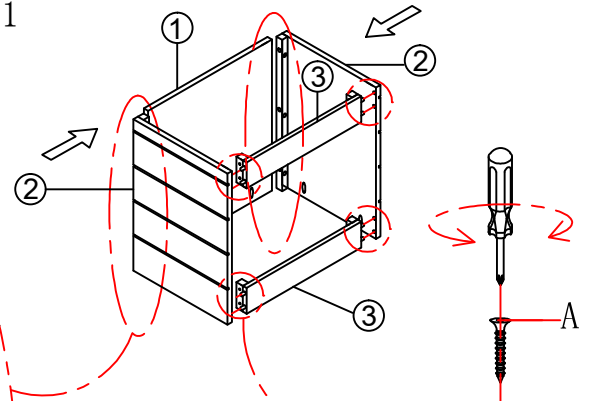
COMPONENT LIST

NO	Description	Q'TY
1	①	1 PC
2	②	2 PCS
3	③	2 PCS
4	④	1 PC
5	⑤	2 PCS
6	⑥	1 PC
7	⑦	1 PC
8	⑧	1 PC
9	⑨	2 PCS
10	⑩	2 PCS
11	⑪	1 PC

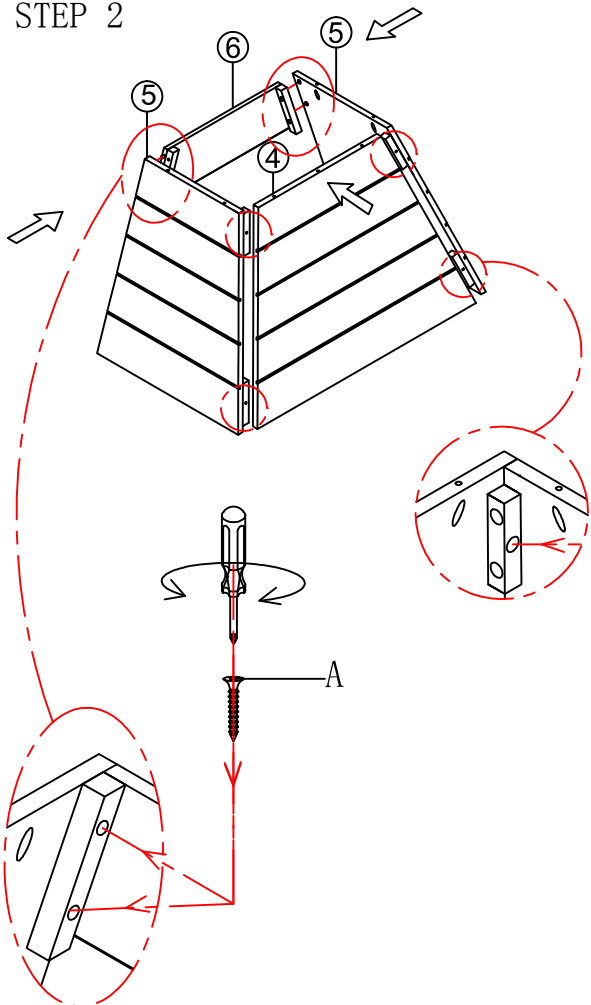
HARDWARE PACK

NO	Drawing	Description	Q'TY
A		Screw (#8*25mm)	47PCS
B		Screw (#10*80mm)	3PCS

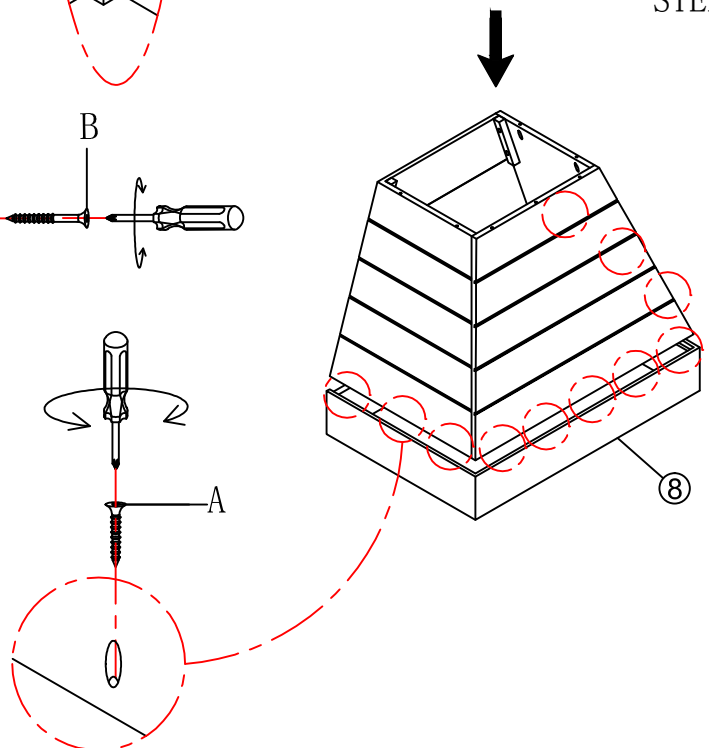
STEP 1



STEP 2

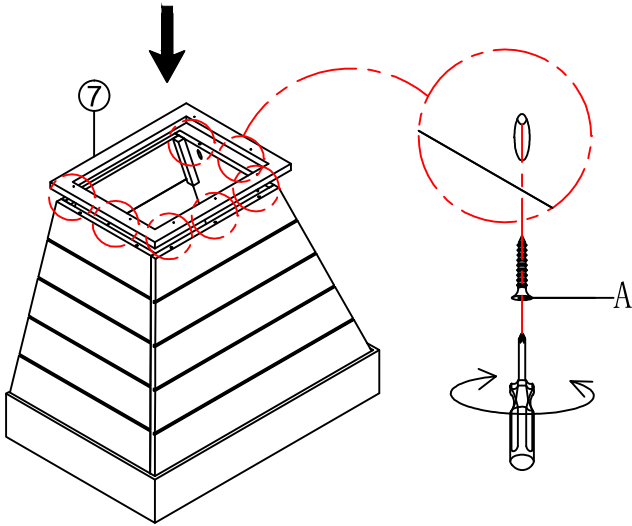


STEP 3

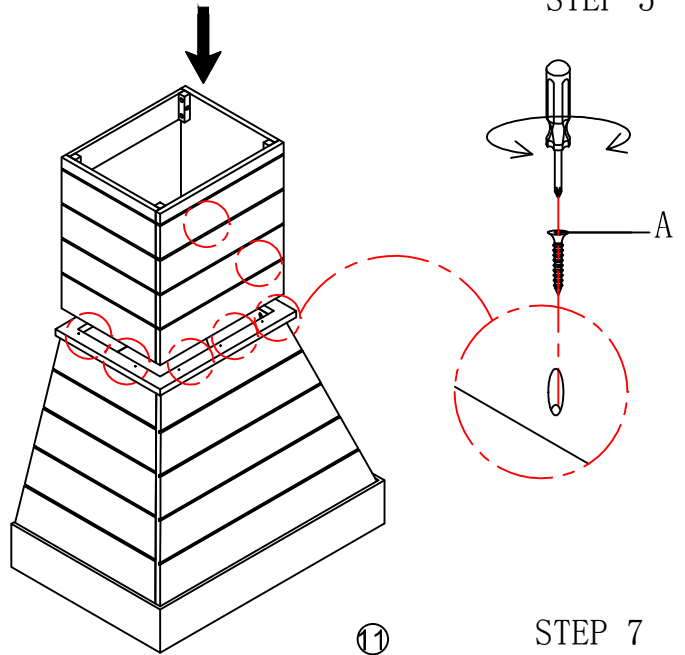


ASSEMBLY INSTRUCTIONS

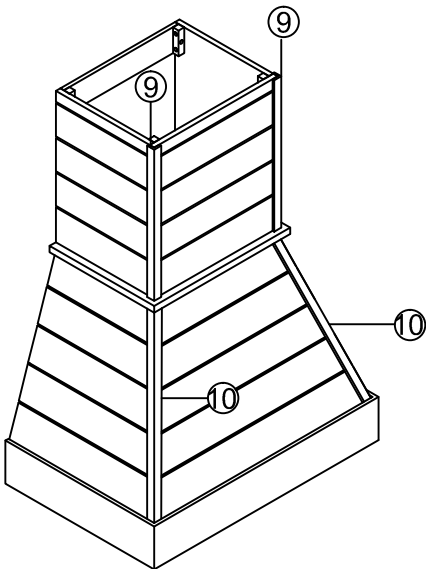
STEP 4



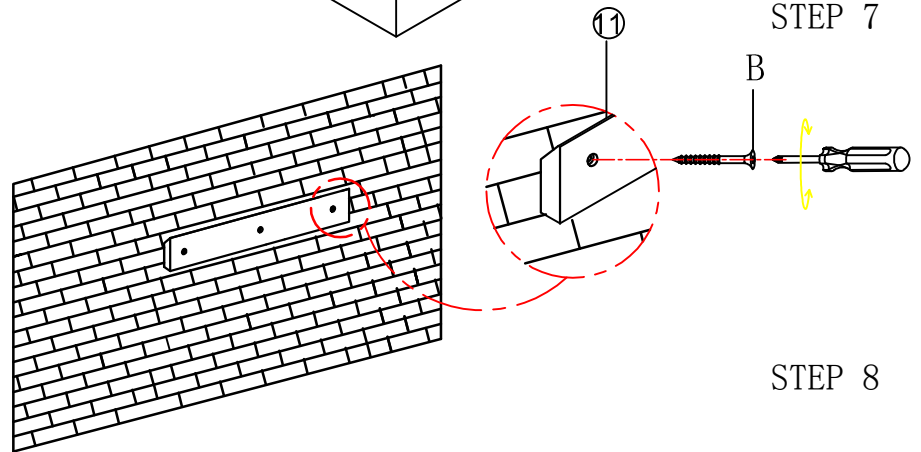
STEP 5



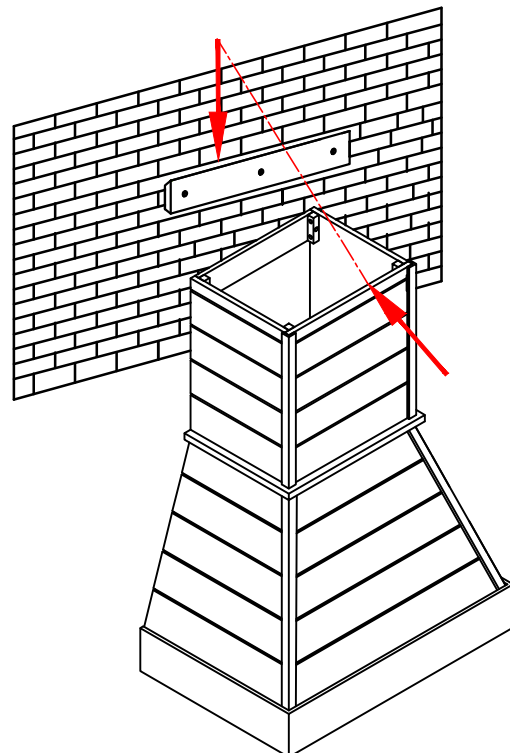
STEP 6



STEP 7



STEP 8



STEP 9

