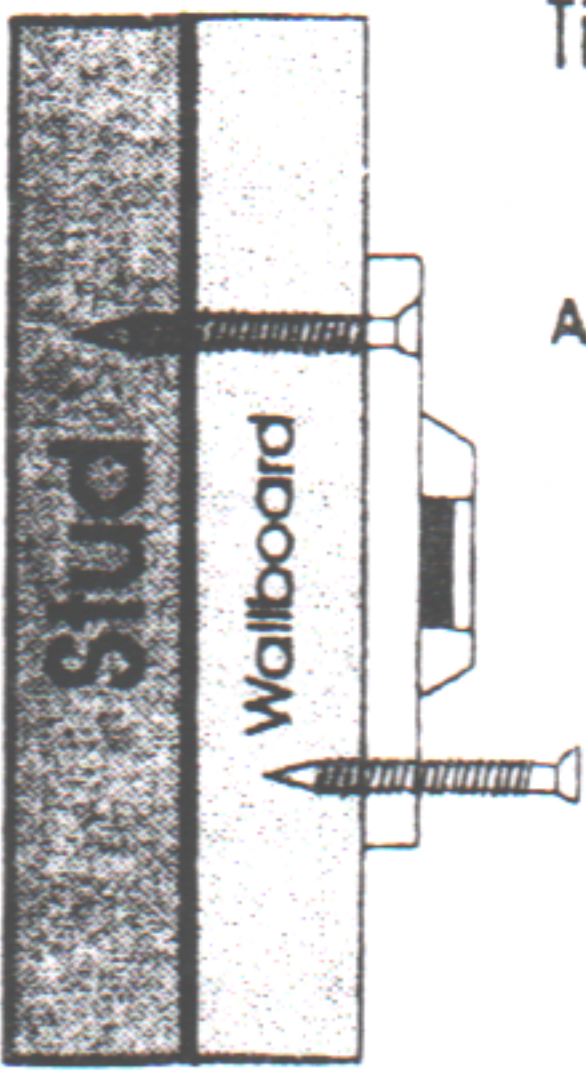


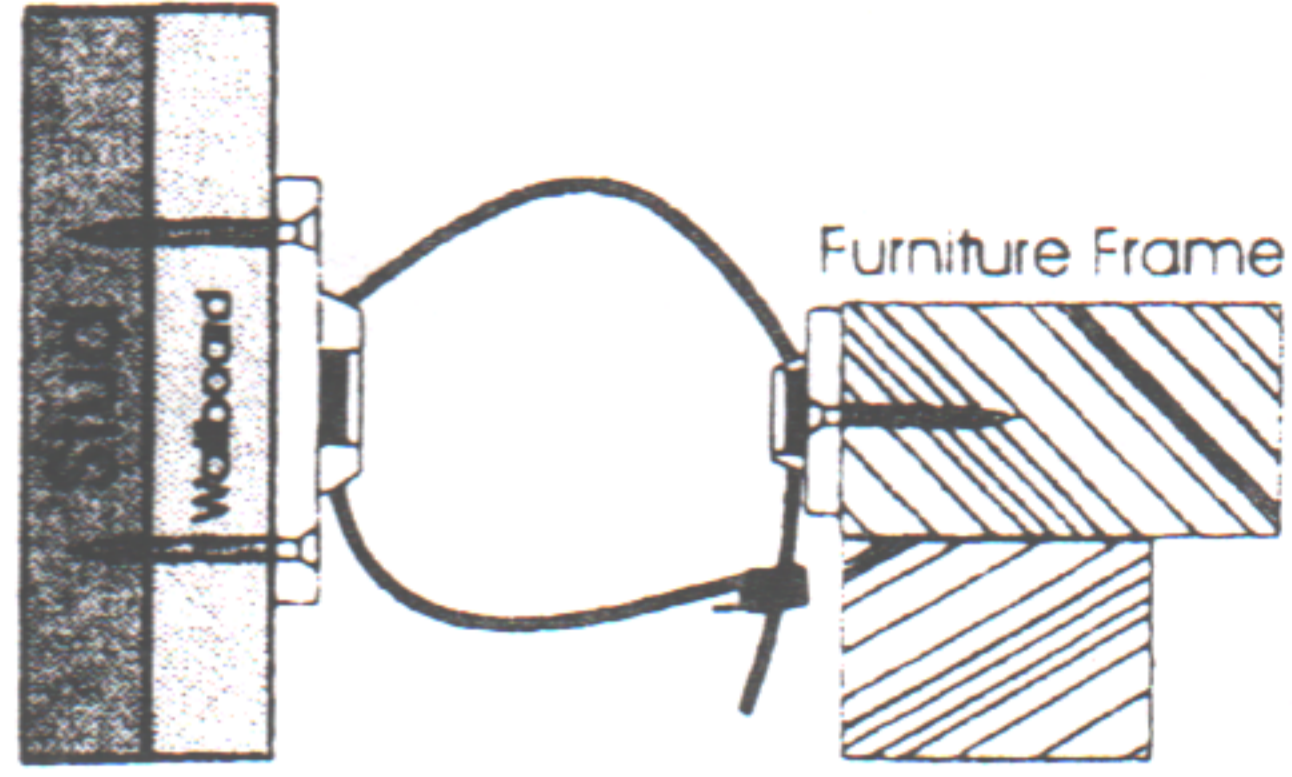
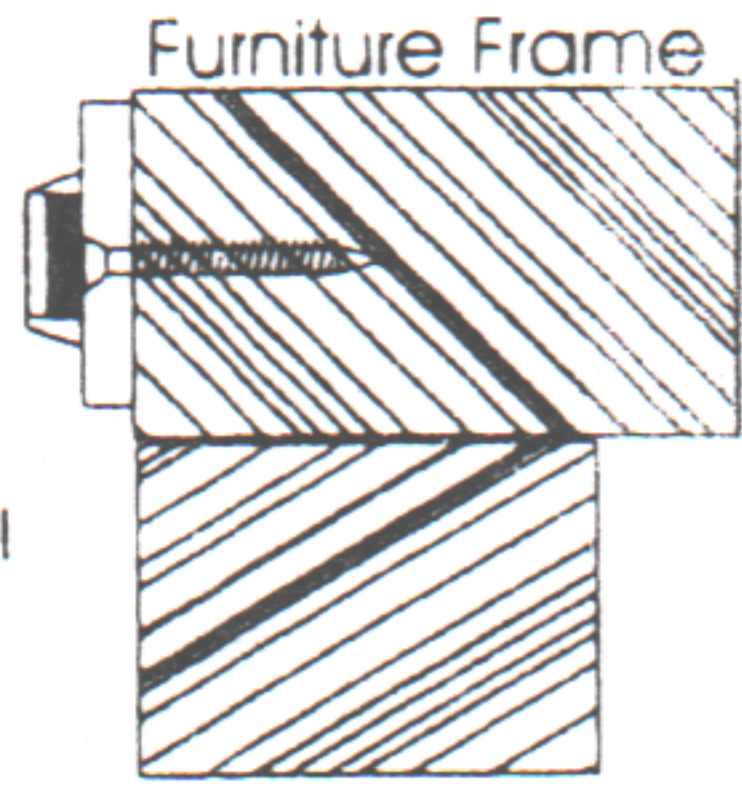
## Tip-Resistant Furniture Safety Brackets

Helps Prevent Furniture Tipover  
Detachable Strap Allows for Easy Removal for Cleaning  
Also, Helps Prevent Furniture Tipover During Mild Tremors



1) Locate a wall stud behind your furniture. Position a bracket on the stud approximately 1" below the top of the furniture height. Mark and drill pilot hole into the center of the stud with a 3/32" drill bit. Attach one bracket to the stud with the long screws provided

2) On the back of the furniture, attach other bracket to the furniture frame at the top. To do this, temporarily move the furniture into its final position and mark the location of the wall bracket onto the furniture frame. Move the furniture away from the wall and place a bracket on the wall. Mark and drill holes for screws with a 3/32" drill bit. Attach the bracket to the furniture frame with the short screws



3) Move the furniture into its final position, taking care to line up the wall bracket and the furniture bracket. Thread a strap through the two brackets as shown in the illustration. Tighten strap until snug. Do Not Overtighten.

**IMPORTANT:** Check to be sure the wall bracket is firmly screwed into wall stud, the furniture bracket is firmly attached to the frame, and the strap is snug.

**CAUTION:** This product is not intended as a substitute for proper parental supervision. Manufacturer assumes no liability for improper installation or excessive loads placed on screws, brackets or straps.