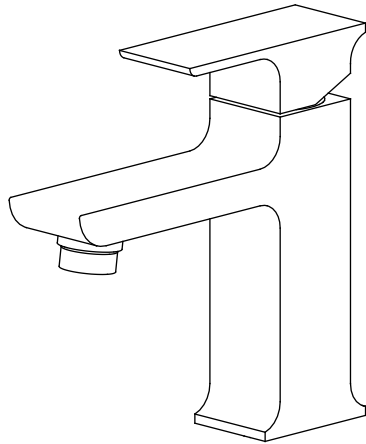


190.1000 | Single Hole Faucet



**SPECIFICATIONS:**

- Solid Brass construction
- Single Hole Installation
- 1.5 GPM Flow Rate @ 60 PSI
- <0.25% weighted average lead content
- Ceramic disc cartridge allows both volume and temperature control

**FINISHES :**

- Chrome - 190.1000CP / Brushed Nickel - 190.1000BN

**STANDARDS:**

- ASME A112.18.1 / CSA B125.1, NSF-61 & EPA Watersense

**WARRANTY:**

- Limited lifetime warranty to the original consumer purchaser against finish and workmanship

LowFlow Capable



Legislation Compliance



Low Lead Compliant



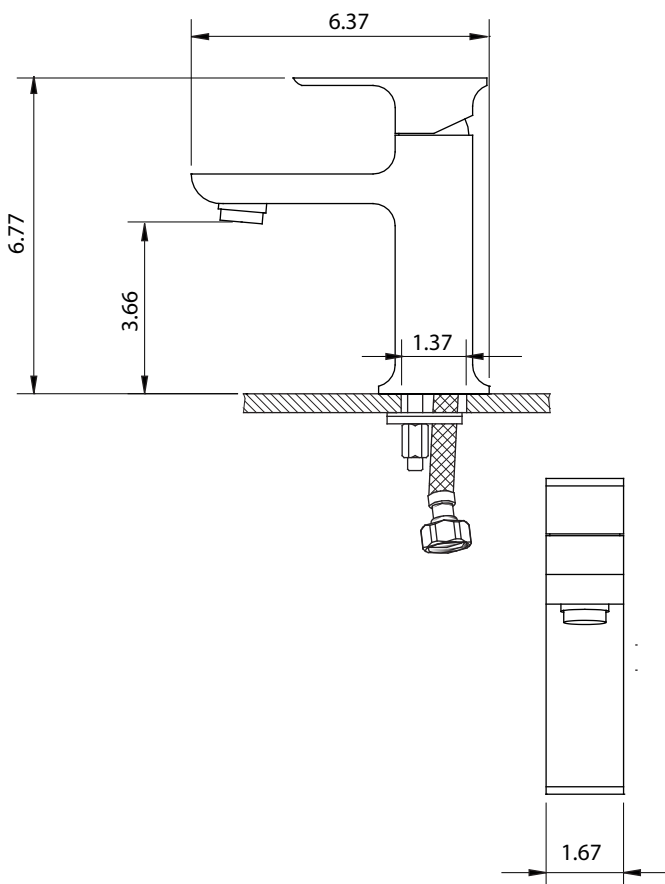
ZeroDrip Technology



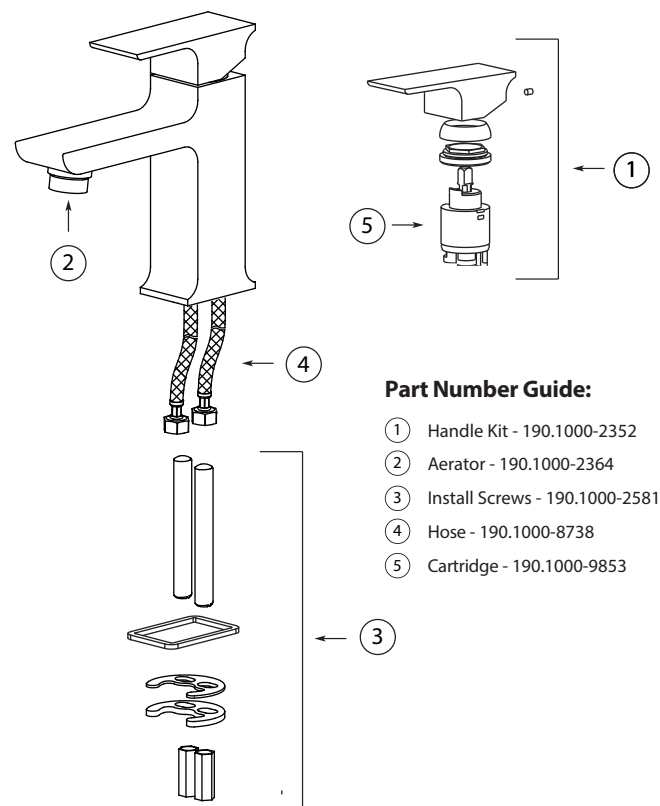
Belgian Mirror Finish



**Technical Diagram**



**Exploded View**



**Part Number Guide:**

- ① Handle Kit - 190.1000-2352
- ② Aerator - 190.1000-2364
- ③ Install Screws - 190.1000-2581
- ④ Hose - 190.1000-8738
- ⑤ Cartridge - 190.1000-9853