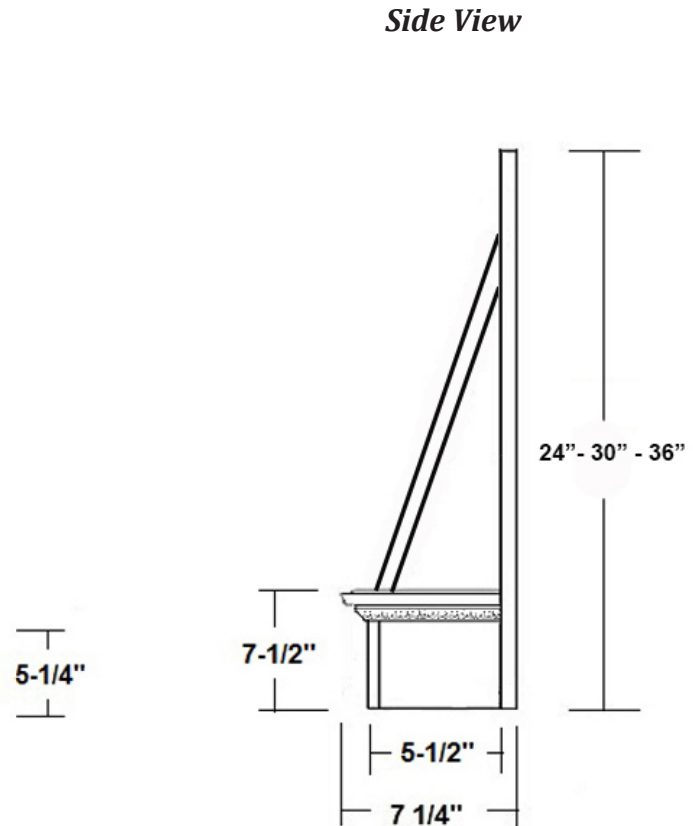
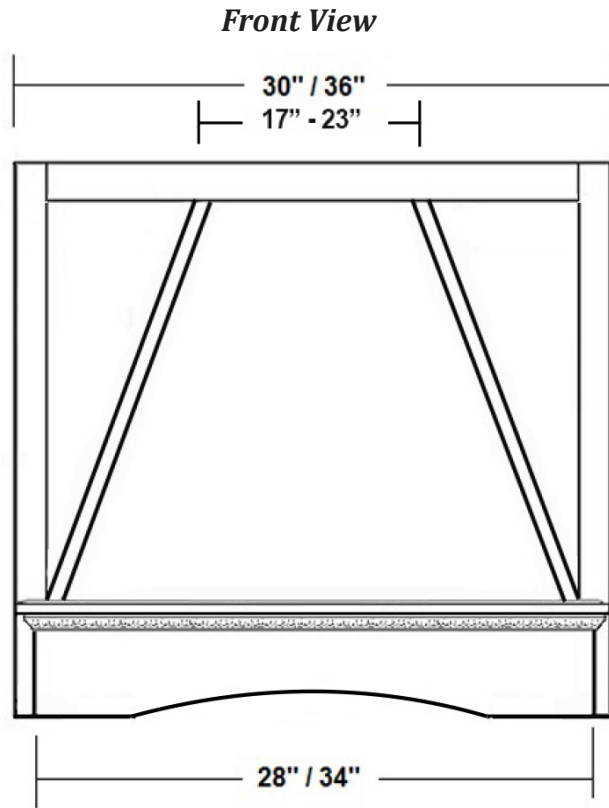




# Applied Molding Chimney Hood Front



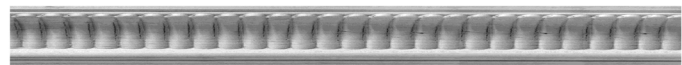
Item #	Dimensions (h) x (w) x (d)	Liner
SY-JCHFA3024	24" x 30" x 7-1/4"	SY-HLT-30
SY-JCHFA3030	30" x 30" x 7-1/4"	SY-HLT-30
SY-JCHFA3036	36" x 30" x 7-1/4"	SY-HLT-30
SY-JCHFA3624	24" x 36" x 7-1/4"	SY-HLT-36
SY-JCHFA3630	30" x 36" x 7-1/4"	SY-HLT-36
SY-JCHFA3636	36" x 36" x 7-1/4"	SY-HLT-36
SY-JCHF3024	24" x 30" x 7-1/4"	SY-HLT-30
SY-JCHF3030	30" x 30" x 7-1/4"	SY-HLT-30
SY-JCHF3036	36" x 30" x 7-1/4"	SY-HLT-30
SY-JCHF3624	24" x 36" x 7-1/4"	SY-HLT-36
SY-JCHF3630	30" x 36" x 7-1/4"	SY-HLT-36
SY-JCHF3636	36" x 36" x 7-1/4"	SY-HLT-36
SY-JCHFR3024	24" x 30" x 7-1/4"	SY-HLT-30
SY-JCHFR3030	30" x 30" x 7-1/4"	SY-HLT-30
SY-JCHFR3036	36" x 30" x 7-1/4"	SY-HLT-30
SY-JCHFR3624	24" x 36" x 7-1/4"	SY-HLT-36
SY-JCHFR3630	30" x 36" x 7-1/4"	SY-HLT-36
SY-JCHFR3636	36" x 36" x 7-1/4"	SY-HLT-36



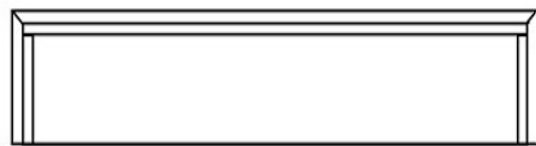
*Acanthus Molding Detail*



*Egg & Dart Molding Detail*



*Reeded Molding Detail*



26-1/2" / 32-1/2"

*Inside Width*

5 1/2"

*Inside Depth*

- Hardwood Plywood and Solid Lumber Construction
- Accepts SY-HLT series T-shape Powder Coated Steel Liners (*sold separately*)
- Select from 250, 390 and 500 CFM Broan Ventilation power packs (*sold separately*) or
- Ascension 350SL, 350SS and 500SS CFM Ventilation power packs (*sold separately*)
- Available in Cherry, Maple and Red Oak
- Must be mounted between two wall cabinets
- Choose Acanthus (A), Egg & Dart (E) or Reeded (R) Moldings

