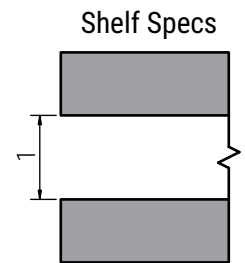
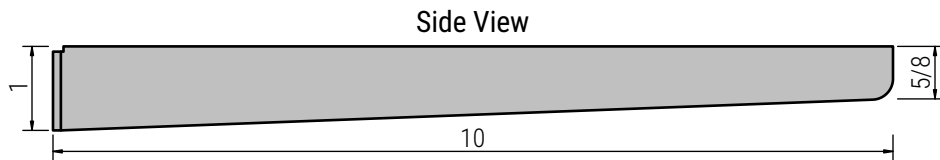
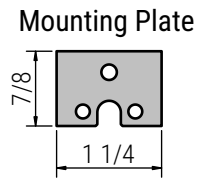
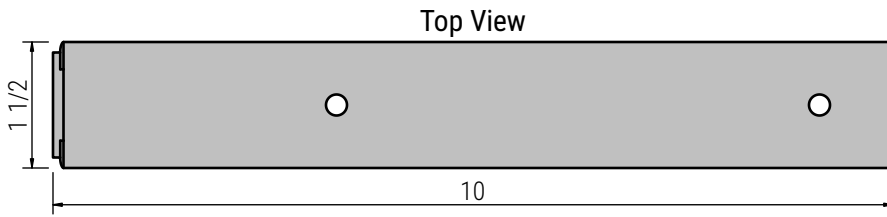
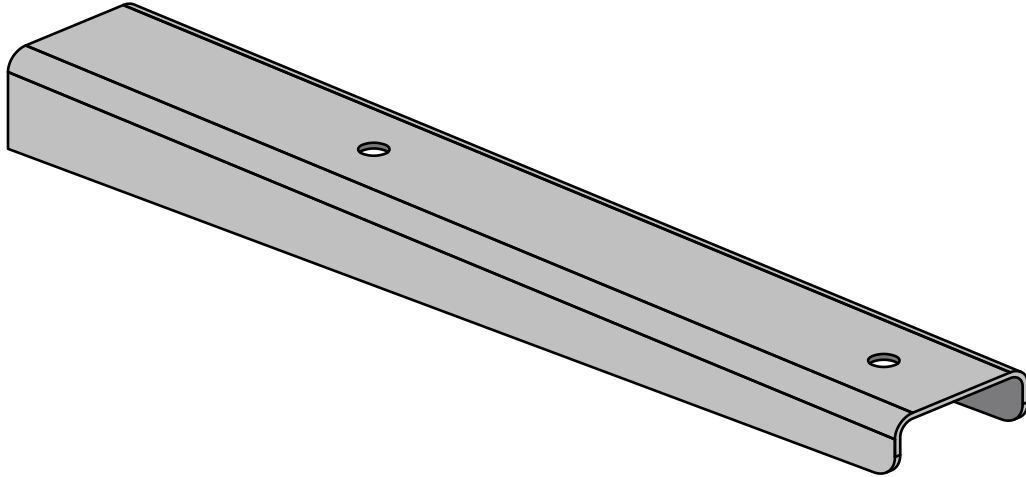




# EZ-LOC 1010-10 Specs



## Weight Limit [per bracket]

Wood Stud: 50 lb

## Deflection [wood stud application]

50 lb: 1/16