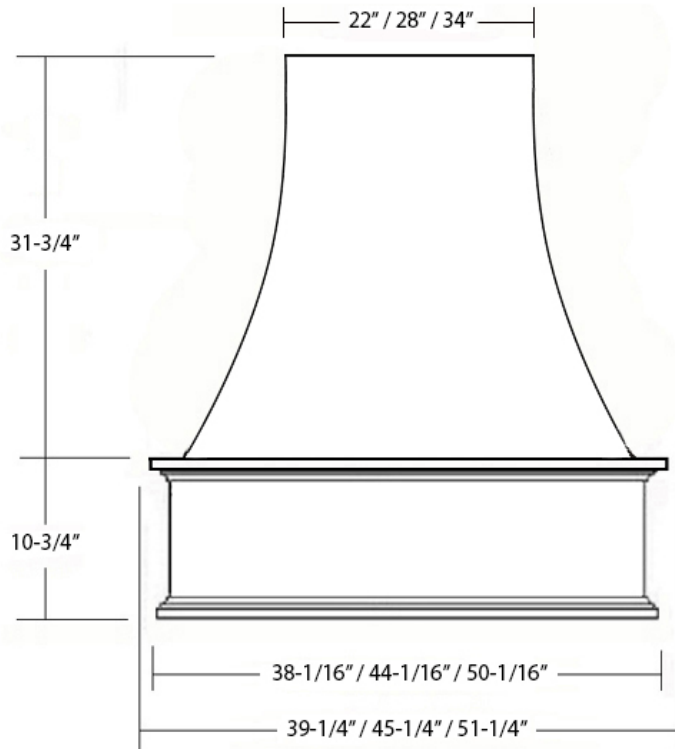


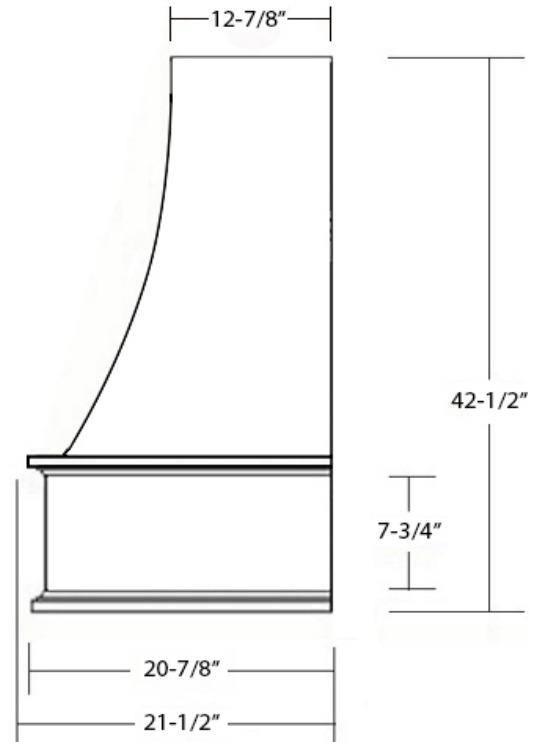
Epicurean Chimney Range Hood



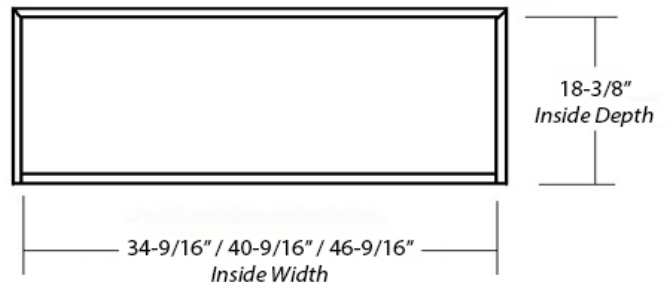
Front View



Side View



Item #	Dimensions (h) x (w) x (d)	Liner	Liner
SY-WCVH-36	42-1/2" x 39-1/4" x 21-1/2"	SY-HLB-36	SY-HLZ-36
SY-WCVH-42	42-1/2" x 45-1/4" x 21-1/2"	SY-HLB-42	SY-HLZ-42
SY-WCVH-48	42-1/2" x 51-1/4" x 21-1/2"	SY-HLB-48	SY-HLZ-48



- Veneer, Hardwood Plywood and Solid Lumber Construction
- 1/2" Rear Plywood Stretchers for wall mounting
- Accepts SY-HLB series Powder Coated or Stainless Steel Liners (sold separately)
- Select from 300, 400 and 600 CFM Broan Ventilation power packs (sold separately) or
- Ascension 350SL, 350SS, 500SS and 620SS CFM Ventilation power packs (sold separately) or
- 36" models accept Ascension 900 CFM Professional Ventilators (requires HLZ series Liners)
- 42" and 48" models accept Ascension 1200 CFM Professional Ventilators (requires HLZ series Liners)
- Available in Alder, Cherry, Hickory, Maple and Red Oak
- Optional Detachable Upper Access available
- Optional 14", 24" and 36" height Chimney Extensions available (requires trim kit)
- Base section will accommodate Ornament sizes up to 6" x 24"
- Optional Metal Banding kits w/Decorative Nails available in Satin Steel and Antique Brass finishes

