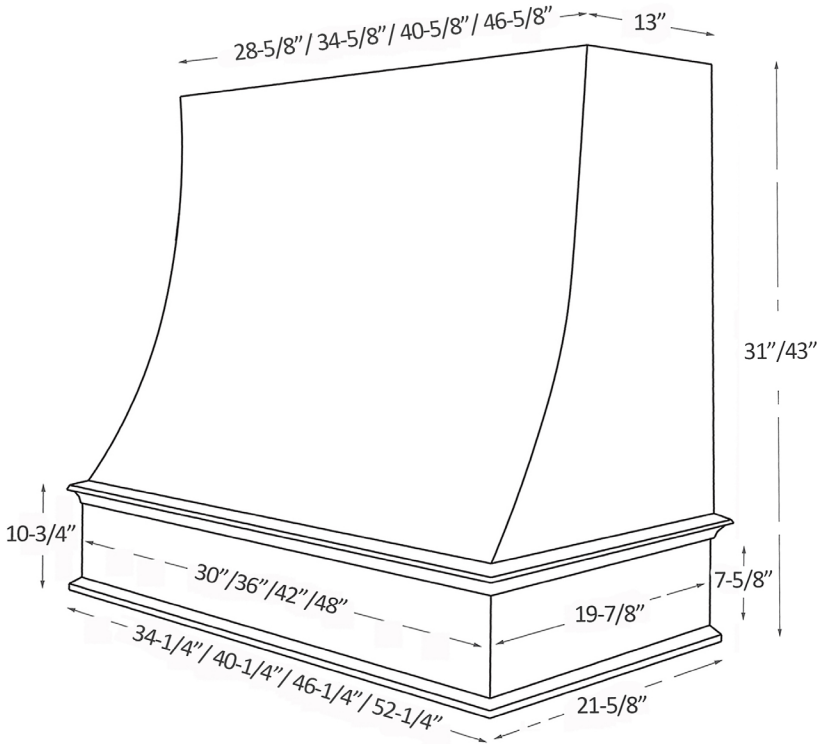
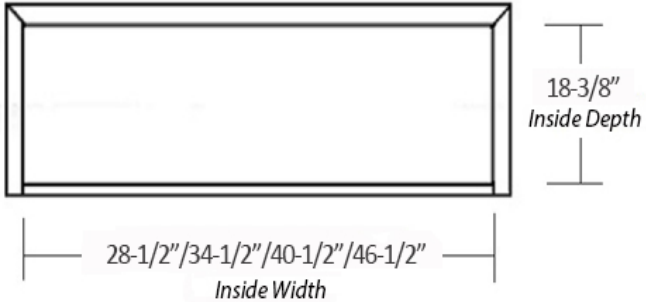




# Executive Chimney Range Hood



Item #	Dimensions (h) x (w) x (d)	Liner	Liner
SY-WCVX-3030	31" X 34-1/4" X 21-5/8"	SY-HLB-30	SY-HLZ-30
SY-WCVX-3630	31" X 40-1/4" X 21-5/8"	SY-HLB-36	SY-HLZ-36
SY-WCVX-4230	31" X 46-1/4" X 21-5/8"	SY-HLB-42	SY-HLZ-42
SY-WCVX-4830	31" X 52-1/4" X 21-5/8"	SY-HLB-48	SY-HLZ-48
SY-WCVX-3042	43" X 34-1/4" X 21-5/8"	SY-HLB-30	SY-HLZ-30
SY-WCVX-3642	43" X 40-1/4" X 21-5/8"	SY-HLB-36	SY-HLZ-36
SY-WCVX-4242	43" X 46-1/4" X 21-5/8"	SY-HLB-42	SY-HLZ-42
SY-WCVX-4842	43" X 52-1/4" X 21-5/8"	SY-HLB-48	SY-HLZ-48



- Veneer, Hardwood Plywood and Solid Lumber Construction
- 1/2" Rear Plywood Stretchers for wall mounting
- Accepts SY-HLB series Powder Coated or Stainless Steel Liners (sold separately)
- Select from 300, 400 and 600 CFM Broan Ventilation power packs (sold separately) or
- Ascension 350SL, 350SS, 500SS and 620SS CFM Ventilation power packs (sold separately) or
- 30" and 36" models accept Ascension 900 CFM Professional Ventilators (requires HLZ series Liners)
- 42" and 48" models accept Ascension 1200 CFM Professional Ventilators (requires HLZ series Liners)
- Available in Alder, Cherry, Hickory, Maple, Red Oak, and White Oak
- Detachable Upper Access standard (-D)
- Optional 14", 24" and 36" height Chimney Extensions available
- Base section will accommodate Ornament sizes up to 6" x 24"

