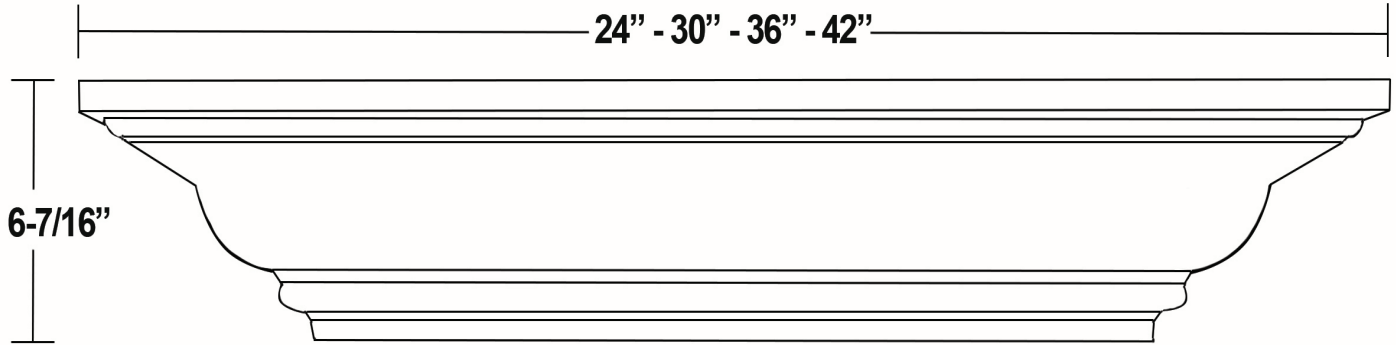




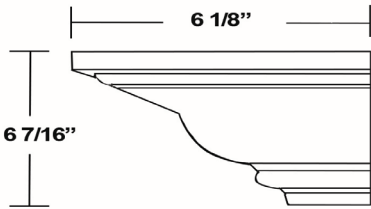
Jumbo Mantel Shelves



SY-JMSJ
Jumbo Mantel Shelf
(all versions have 6-1/8" depth)

Castlewood Jumbo Mantel Shelves offer luxurious looks and sturdy support for displaying decorative and personal articles. These configurations can be used in custom range hood construction or as stand alone wall decoration.

Item #	Dimensions (h) x (w) x (d)
SY-JMSJ24	6-7/16" x 24" x 6-1/8"
SY-JMSJ30	6-7/16" x 30" x 6-1/8"
SY-JMSJ36	6-7/16" x 36" x 6-1/8"
SY-JMSJ42	6-7/16" x 42" x 6-1/8"



- Hardwood Veneer Core Plywood and Solid Lumber construction
- Solid Hardwood beveled mounting rail included (*undrilled*)
- Rail must be mounted securely to wall studs using 3" screws (*sold separately*)
- Measure stud spacing and mark locations on one long side of rail
- Drill appropriate holes and insert screws securely to wall studs
- Slide shelf body over beveled rail to complete installation
- 15 lbs. per square foot capacity when installed correctly
- Available in Alder, Cherry, Hickory, Maple and Red Oak
- Custom sizes available by request

