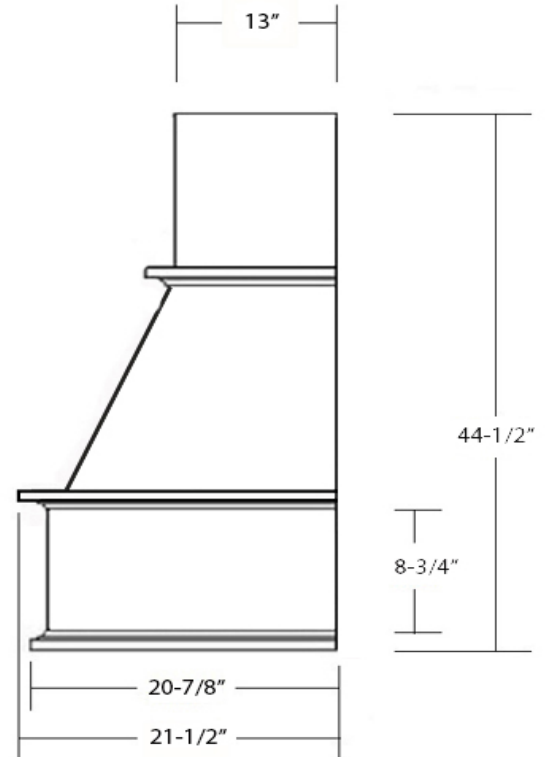
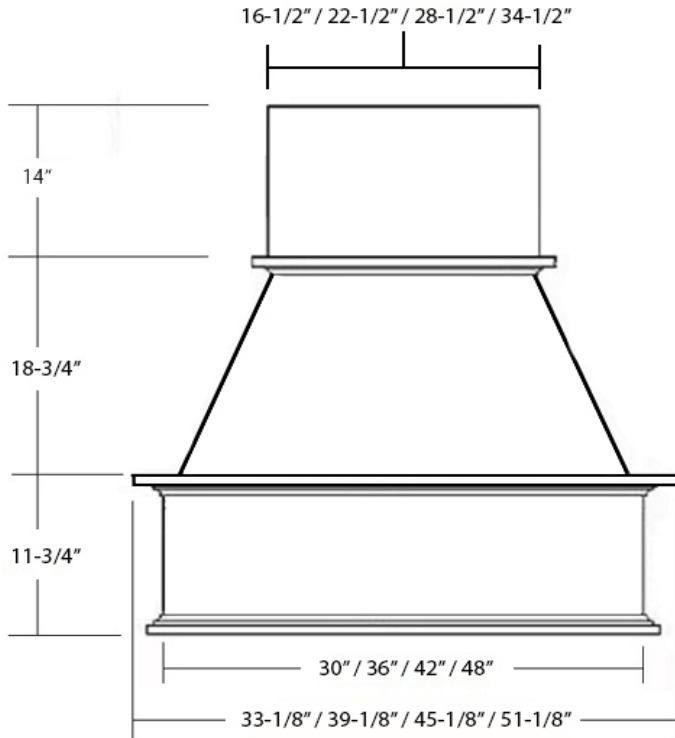




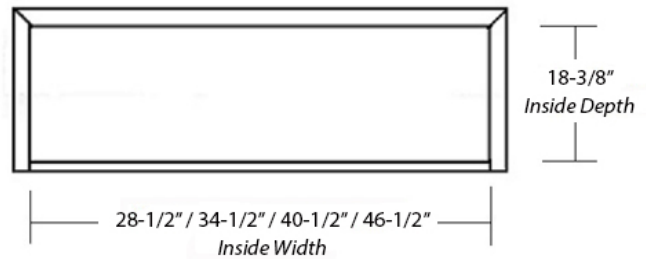
Traditional Chimney Style Range Hood

Front View

Side View



Item #	Dimensions (h) x (w) x (d)	Liner	Liner
SY-WCH-30	44-1/2" x 33-1/8" x 21-1/2"	SY-HLB-30	SY-HLZ-30
SY-WCH-36	44-1/2" x 39-1/8" x 21-1/2"	SY-HLB-36	SY-HLZ-36
SY-WCH-42	44-1/2" x 45-1/8" x 21-1/2"	SY-HLB-42	SY-HLZ-42
SY-WCH-48	44-1/2" x 51-1/8" x 21-1/2"	SY-HLB-48	SY-HLZ-48



- Hardwood Plywood and Solid Lumber Construction
- 1/2" Rear Plywood Stretchers for wall mounting
- Accepts SY-HLB series Powder Coated or Stainless Steel Liners (sold separately)
- Select from 300, 400, and 600 CFM Broan Ventilation power packs (sold separately) or Ascension 350SL, 350SS, 500SS and 620SS CFM Ventilation power packs (sold separately) or 30" and 36" models accept Ascension 900 CFM Professional Ventilators (requires HLZ series Liners)
- 42" and 48" models accept Ascension 1200 CFM Professional Ventilators (requires HLZ series Liners)
- Available in Alder, Cherry, Hickory, Maple and Red Oak
- Optional Detachable Upper Access available
- Includes standard 14" height Chimney Extension (packaged separately)
- Optional 24" and 36" height Chimney Extensions available
- Base section will accommodate Ornaments in sizes up to 6" x 24"

