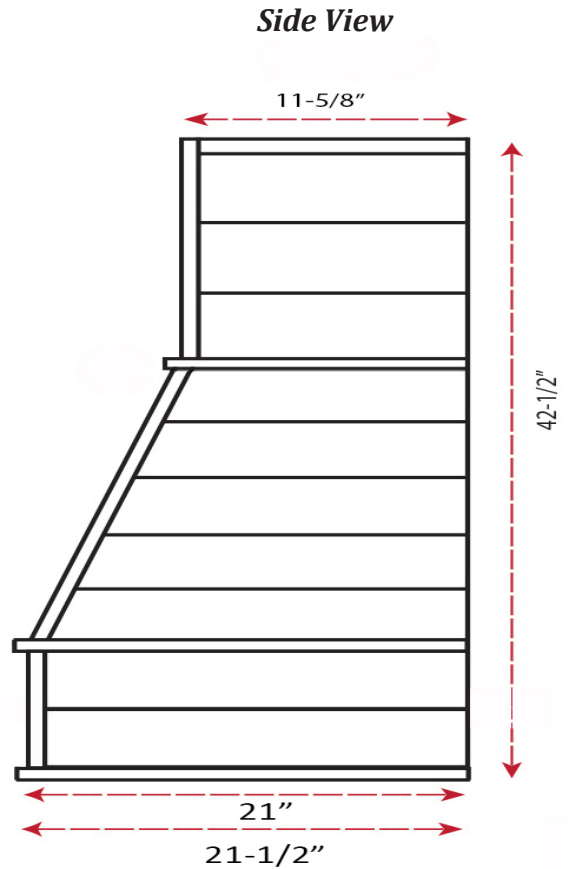
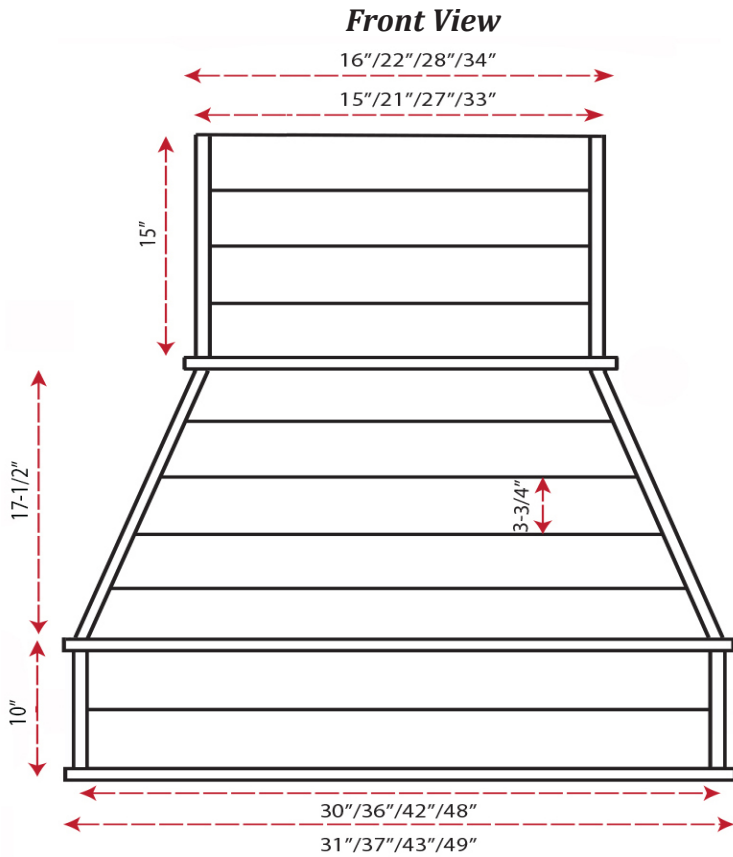
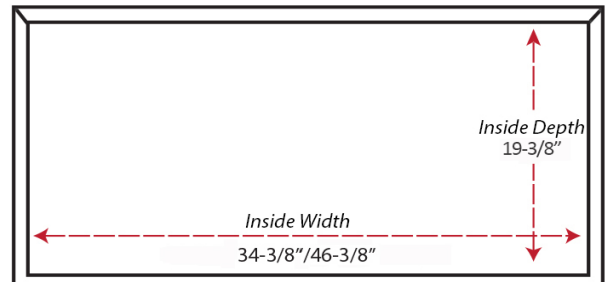


XL Shiplap Chimney Hood w/Extra Depth



Item #	Dimensions (h) x (w) x (d)	Liner
SY-WCSLXXL-36L	42-1/2" X 37" X 21-1/2"	N/A
SY-WCSLXXL-48L	42-1/2" X 49" X 21-1/2"	N/A



- Solid Hardwood Lumber Construction
- 1/2" Rear Plywood Stretchers for wall mounting
- Accepts SY-HLB series Powder Coated or Stainless Steel Liners (*sold separately*)
- Select from 300, 400 and 600 CFM Broan Ventilation power packs (*sold separately*) or
- Ascension 350SL, 350SS, 500SS and 620SS CFM Ventilation power packs (*sold separately*)
- 30" and 36" models accept Ascension 900 CFM Professional Ventilators (*requires HLZ series Liners*)
- 42" and 48" models accept Ascension 1200 CFM Professional Ventilators (*requires HLZ series Liners*)
- Available in Alder, Cherry, Hickory, Maple and Red Oak
- Detachable Front Panel for easy access
- Includes standard Chimney Extension (*see drawing*)
- Optional 26-1/4" and 37-1/2" height Chimney Extensions available

